

## TCL-CS

### CABINETS - TCL series



- FEATURES:**
- Custom colors available to match your equipment.
  - Possibility of custom matching your UPS (height, look).
  - One of the best space-efficient footprints available.
  - Access to busbars available from any side of the cabinet.
  - Complete solution available for plug and play cabinets.
  - 95% of cabinet designed and manufactured on site by us, offering high quality products.
  - Delivery time as low as 3 to 4 weeks. (For Standard products.)
  - Cabinet Mechanical Features:
    - Acid resistant powder painted coat.
    - Removable panels for ease of maintenance.
    - Upper frame openings (4 openings of 11"W X 3.5"H).
    - Gland plates on top for custom aperture.

**CERTIFICATIONS:**



- UL 891 and UL 1778 Listed.
- IBC-2015 Seismic Certified, CBC 2013. (Coming Soon)
- OSHPD Seismic Certified (ICC-ES AC-156) (up to SDS=1.38g top of building). (Coming Soon) (Standard).
- NEBS Zone 4 test passed. (Coming Soon)
- NEMA 1 enclosed battery cabinet. NEMA 2 available as an option.

**SPECIFICATIONS:**

- Electrical Features:
  - Our landing cabinets can receive a voltage ranging from 48 VDC up to 480 VDC.
  - Our cabinets can receive a current ranging from 30A up to 4000A.
- Environmental Specifications:
  - Ventilation slots in front door and rear panel provide a chimney effect for natural convection cooling.

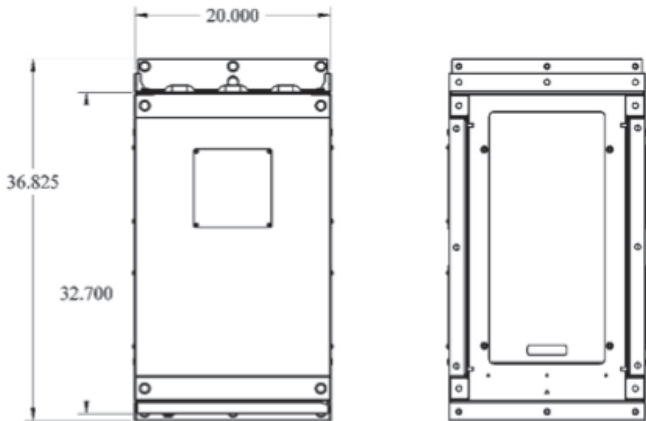
171, Tuckerton Road  
Reading, PA  
19605 United States

325, boul. Industriel  
Saint-Jean-sur-Richelieu (Qc)  
J3B 7M3 Canada

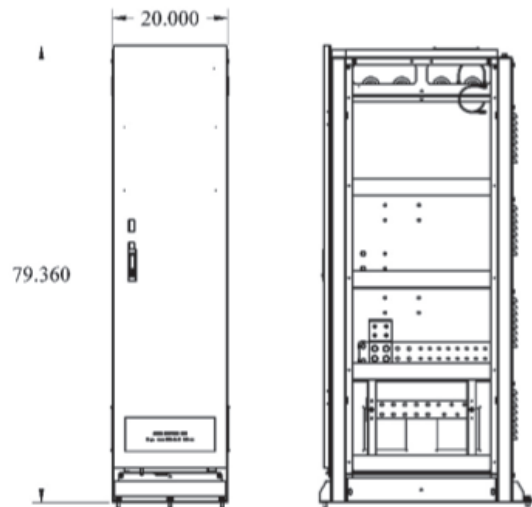
**T** 450 346.6871  
**F** 450 346.4368  
**TOLL FREE**  
1 800 363.1964

- ASSETS:**
- Cabinets can match most UPS height. Custom height, look and color available.
  - Our electrostatic powder paints offers acid, corrosion and rust resistance. The finish and assembly provided is second to none.

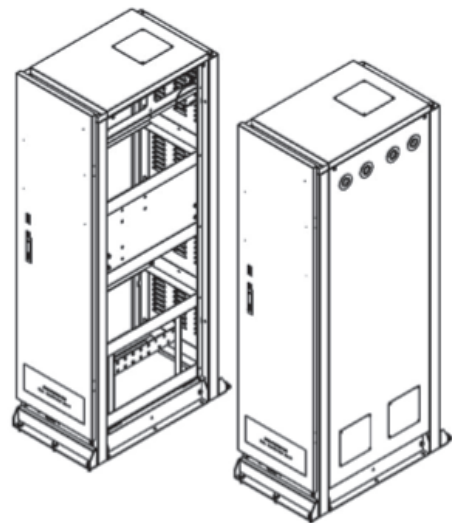
- OPTIONS:**
- Side panels with knockouts (allow up to 4" conduit).
  - "Close to wall" anchoring option.
  - NEMA 2 Construction available.
  - Lifting eyebolts.
  - Full height doors.



Top and bottom view



Front and side view and measurements, no side panels



Isometric view with and without side panels

# HOW TO ORDER

**TCL-CS**  
CABINETS - TCL series

Specify the product and options required with the relevant product code on the basis of the following guidelines

**TCL - Height - Seismic - Tier of the corresponding battery cabinet - cabinet width - Amperage - Doors - UL Certification - Color**

## **TCL-CS-4-20-AMPS-A-0891-CL:**

- Represents the model of cabinet (TCL are our standard landing cabinets).

## **TCL-CS-4-20-AMPS-A-0891-CL (Choose your desired height code):**

- Refer to Table 1 below.
- Custom heights also available.

## **TCL-CS-4-20-AMPS-A-0891-CL (stands for "Seismic"):**

- This model is "seismic proof". We offer 2 different "Seismic proof" models: NEBS zone 4 or OSHPD. We also offer a "Close to wall" option for the OSHPD model (See Table 2 to select your option).

## **TCL-CS-4-20-AMPS-A-0891-CL:**

- The first digit indicates the number of tiers of the corresponding battery cabinet.
- The last 2 digits correspond to the cabinet's width (either 18" or 20").

## **TCL-CS-4-20-AMPS-A-0891-CL (Indicate your amperage):**

- Indicate here your desired amperage. Up to 2800A for UL 891, and up to 4000A for UL 1778.
- Desired amperage: \_\_\_\_ (Ex: For 80 amps, your code will be 0080).
- This information will dictate the breaker size.

## **TCL-CS-4-20-AMPS-A-0891-CL (lift-off panels):**

- Our standard cabinet comes with lift-off panels (code A). We offer hinged doors as an option (code B).

## **TCL-CS-4-20-AMPS-A-0891-CL (UL Certification):**

- Our landing cabinet is certified either per UL 891 or per UL 1778.
- The main difference is the addition of fuses on the busbars for the UL 1778 version.
- Indicate 0891 for UL 891 or 1778 for UL 1778.

## **TCL-CS-4-20-AMPS-A-0891-CL (Color Option):**

Our standard colors are:

- BLACK: Code BK.
- BEIGE: Code BG.
- WHITE: Code WT.
- GREY: Code GY.

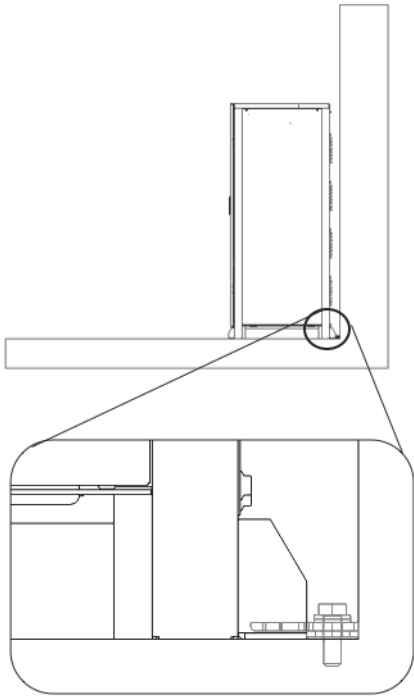
**We offer custom colors as an option (Contact TERMACO for more details).**

## **OPTION SELECTION (SEE OPTION KITS P.4):**

- Side panels with knockouts (allow up to 4" conduit).
- "Close to wall" (available for OSHPD cabinets only).
- NEMA 2 Construction.
- Lifting Eyebolts.
- Full height doors.
- NEBS zone 4.

**OPTIONS ILLUSTRATED:**

- “Close to Wall” (Valid for OSHPD only):



“Close to Wall” option illustrated with close up

**TABLE 1 - CODE FOR HEIGHTS**

CODE	HEIGHT* (in)	CODE	HEIGHT* (in)	CODE	HEIGHT* (in)
CS-2	40.6	CS-3	57	CS-4	75
SS-2	55.1	SS-3	59.8	SS-4	76.8
		NS-3	67.3	NS-4	78.7
		MS-3	71	MS-4	79.7
		LS-3	73.7	LS-4	80.6

\*Contact **TERMACO** for different heights

**OPTION KITS DESCRIPTION:**

- TCL-SIDEPANEL-KIT: Side panels with knockout.
- TCL-EYEB-KIT: Lifting eyebolts.
- TCL-NEMA2-KIT: NEMA 2 construction cabinet. A joint is added to the gland plates to prevent spilling or light water from entering the cabinet.
- TCL-CTW-**20**-KIT: “Close to Wall” option. This option allows the cabinet to be installed as close as 2” from the wall. (See illustration above). The number in the code corresponds to the width of the cabinet. Our standard is 20”, but custom width also available.
- TCL-FULLHDOOR-**X**-KIT: Full height doors option. Refer to Table 1 to replace the “**X**” with the corresponding code.
- TCL-ANG-BUSBAR-KIT: Angled busbars for easier double run connection\*.
- TCL-NEBS-kit : Cabinet NEBS zone 4

\*Not available for the 200 Series in the 3000 and 4000 Amps version.



171, Tuckerton Road  
Reading, PA  
19605 United States

325, boul. Industriel  
Saint-Jean-sur-Richelieu (Qc)  
J3B 7M3 Canada

**T** 450 346.6871  
**F** 450 346.4368  
**TOLL FREE**  
1 800 363.1964