

## Top Terminal Battery Open Rack (TOT-L)

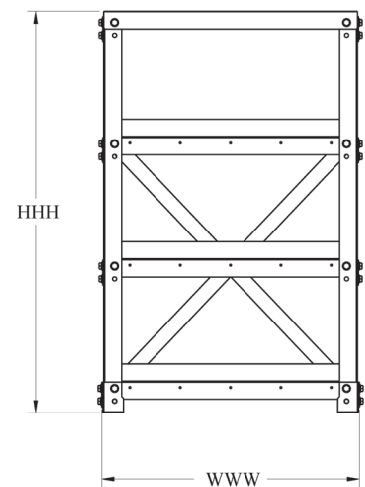
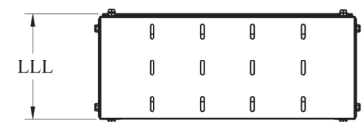
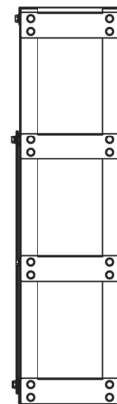
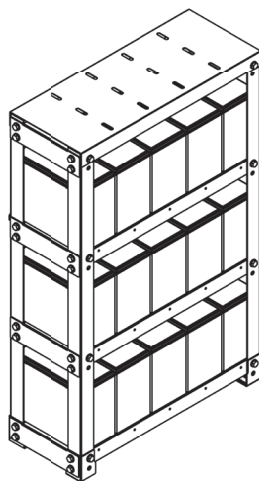
### Reserve Power - Open Rack Series

- FEATURES:**
- Top terminal Battery Rack.
  - Configured and adapted to the battery manufacturer of your choice.
  - One of the best space-efficient footprints available.
  - 100% of rack designed and manufactured on site by us, offering high quality products.
  - Delivery time as low as 2 to 3 weeks. (For Standard products.)

- CERTIFICATIONS AVAILABLE:**
- UBC Zone 0.
  - IBC Zone 0

- ASSETS:**
- Our electrostatic powder paint offer acid, corrosion and rust resistance. The finished and assembled provided is second to none.
  - Multiple configurations.
  - Rack built according to battery dimensions.

- OPTIONS:**
- Lexan shield cover.
  - Double row configuration



171, Tuckerton Road  
Reading, PA  
19605 United States

325, boul. Industriel  
Saint-Jean-sur-Richelieu (Qc)  
J3B 7M3 Canada

T 450 346.6871

F 450 346.4368

TOLL FREE

1 800 363.1964

# HOW TO ORDER

Specify the product and options required with the relevant product code on the basis of the following guidelines

**TOT - Low Seismic - Customer - Battery Model - Number of batteries per tier - Number of tier - Seismic Zone**

**TOT-L-TER-Battery-xJ-xT-ZO:**

**(RACK GENERATION)**

Represents the model of the rack (“TOT” stands for Termaco Open Top terminal battery rack).

**TOT-L-TER-Battery-xJ-xT-ZO:**

This represent the rack’s construction.  
“L” for low seismic.

**TOT-L-TER-Battery-xJ-xT-ZO:**

These 3 digits refer to the customer’s name.  
As an example, “TER” stands for Termaco.

**TOT-L-TER-Battery-xJ-xT-ZO:**

The battery model is specified here. Since the rack is configured based on the battery dimensions, this information is essential.

**TOT-L-TER-Battery-xJ-xT-ZO:**

The configuration of the rack is specified here.

- “J” is preceded by the number of Jars.
- “T” is precede by the number of Tiers.

**TOT-L-TER-Battery-xJ-xT-ZO:**

This represent the seismic rating of the rack.



171, Tuckerton Road  
Reading, PA  
19605 United States

325, boul. Industriel  
Saint-Jean-sur-Richelieu (Qc)  
J3B 7M3 Canada

**T** 450 346.6871  
**F** 450 346.4368  
**TOLL FREE**  
1 800 363.1964