

# TCR-CS-310R

## CABINETS - TCR series



- FEATURES:**
- Integrated upper shelf dedicated for cable routing.
  - Can be assembled side by side for running time increase.
  - Terminals designed for easy backup.
  - Custom colors available to match your equipment.
  - Possibility of custom matching your UPS (height, look).
  - Configured and adapted to the battery manufacturer of your choice.
  - Designed to accommodate any top terminal battery sizes up to UPS12-540MR (C&D) or equivalent.
  - One of the best space-efficient footprints available.
  - Access to batteries available from any side of the cabinet.
  - Complete solution available for plug and play cabinets.
  - 95% of cabinet designed and manufactured on site by us, offering high quality products.
  - Delivery time as low as 3 to 4 weeks. (For Standard products.)
  - Cabinet Mechanical Features:
    - Acid resistant powder painted coat.
    - Removable panels for ease of maintenance.
    - Side panels knockouts allow up to 4" conduit.
    - Gland plates on top for custom aperture.
    - Can be installed in single or multiple cabinet lineups.

**CERTIFICATIONS:**



- IBC-2015 Seismic Certified (Sds = 1.38g top of building, Sds = 1.55g ground level).
- NEBS Zone 4 construction.
- NEMA 1 enclosed battery cabinet. NEMA 2 available as an option.

**SPECIFICATIONS:**

- Electrical Features:
  - Our cabinets can offer a voltage ranging from 48 VDC up to 480 VDC.
  - Our cabinets can offer a current ranging from 30A up to 800A.
- Environmental Specifications:
  - Normal operating temperatures for batteries are between 68°F-77°F (20°C-25°C).
  - Ventilation slots in front door and rear panel provide a chimney effect for natural convection cooling.

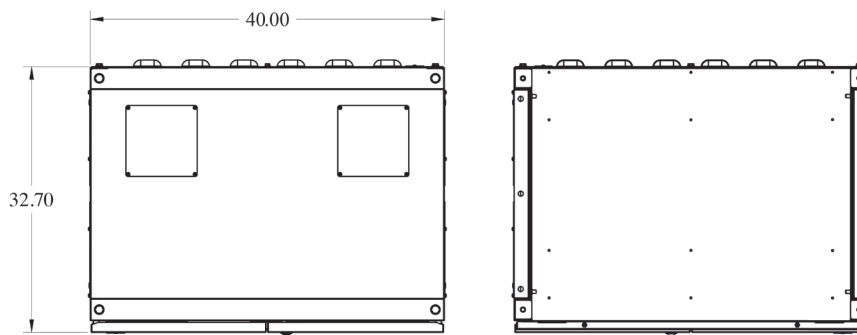
171, Tuckerton Road  
Reading, PA  
19605 United States

325, boul. Industriel  
Saint-Jean-sur-Richelieu (Qc)  
J3B 7M3 Canada

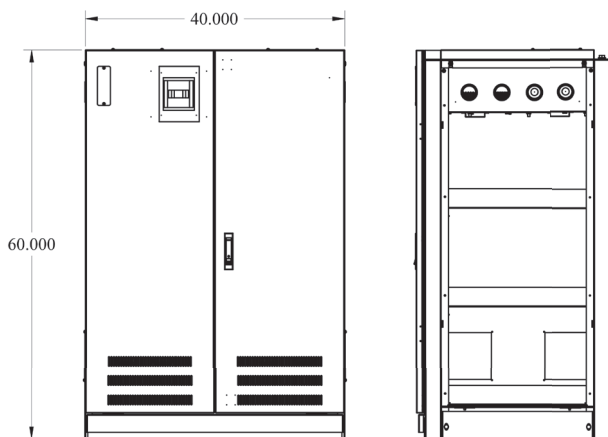
**T** 450 346.6871  
**F** 450 346.4368  
**TOLL FREE**  
1 800 363.1964

- ASSETS:**
- Cabinets can match most UPS height. Custom height, look and color available.
  - Our electrostatic powder paints offers acid, corrosion and rust resistance. The finish and assembly provided is second to none.

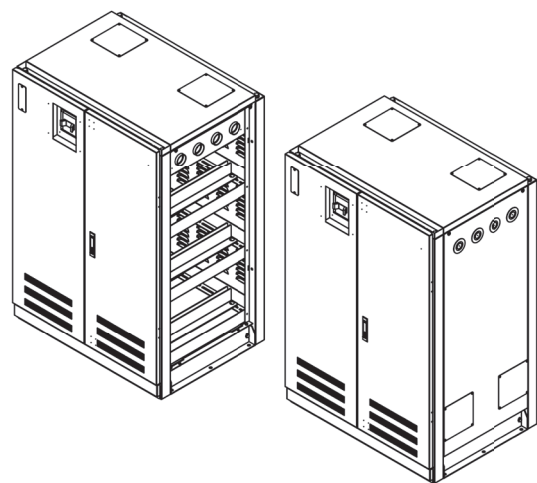
- OPTIONS:**
- “Close to wall” anchoring option.
  - NEMA 2 Construction available.
  - Lifting eyebolts.
  - Standard breaker accessories (UVR or SHUNT and AUX).
  - Chargers available for systems below 240 VDC (UL certified).
  - Chargers available for systems above 240 VDC (Not UL).
  - Full height doors.
  - Busbars.



Top and bottom view



Front and side view and measurements, no side panels



Isometric view with and without side panels

# HOW TO ORDER

**TCR-CS-310R**  
CABINETS - TCR series

Specify the product and options required with the relevant product code on the basis of the following guidelines

**TCR -Height - Seismic - Configuration - Amperage - Voltage - Battery Model - Doors - Seismic Option - Color**

## **TCR-CS-310R-AMP-VLT-XXXX-A-X-CL:**

- Represents the model of cabinet (TCR are our standard cabinets for top terminal batteries).

## **TCR-CS-310RAMP-VLT-XXXX-A-X-CL (Choose your desired height code):**

- Refer to Table 1 below.
- Custom heights also available.

## **TCR-CS-310R-AMP-VLT-XXXX-A-X-CL (stands for "Seismic"):**

- This model is "seismic proof". We offer 3 different "Seismic proof" models: CBC, IBC or NEBS zone 4 construction.

## **TCR-CS-310R-AMP-VLT-XXXX-A-X-CL (Cabinet configuration):**

- The first digit represents the number of tiers (3 tiers for this model).
- The next two digits correspond to the maximum number of batteries per tier (up to 10 for this model).
- R stands for "regular" batteries. This is for our standard batteries (10.7" Height). If your battery is taller the code will be an "L", if it's smaller it will be an "S".

## **TCR-CS-310R-AMP-VLT-XXXX-A-X-CL (Indicate your amperage):**

- Indicate here your desired amperage (up to 800Amps).
- Desired amperage: \_ \_ \_  
(Ex: For 80 amps, your code will be 080).
- This information will dictate the breaker and cables sizes.

## **TCR-CS-310R-AMP-VLT-XXXX-A-X-CL (How many batteries do you need):**

- This number will be calculated directly with the number of batteries you have on the cabinet.  
(Ex: 3 tiers x 10 batteries x 12V = 360VDC)

## **TCR-CS-310R-AMP-VLT-XXXX-A-X-CL (What is your battery model):**

- We provide the batteries with all of our cabinets.
- Choose code from Table 3 if you choose to provide your own batteries.

## **TCR-CS-310R-AMP-VLT-XXXX-A-X-CL (lift-off panels):**

- Our standard cabinet comes with lift-off panels (code A). We offer hinged doors as an option (code B).

## **TCR-CS-310R-AMP-VLT-XXXX-A-X-CL:**

- Choose your seismic option. Refer to Table 2 to select the seismic and level code corresponding to your desired configuration of cabinet.

## **TCR-CS-310R-AMP-VLT-XXXX-A-X-CL (Choose your color):**

Our standard colors are:

- BLACK: Code BK.
- BEIGE: Code BG.
- WHITE: Code WT.
- GREY: Code GY.

**We offer custom colors as an option  
(Contact TERMACO for more details).**

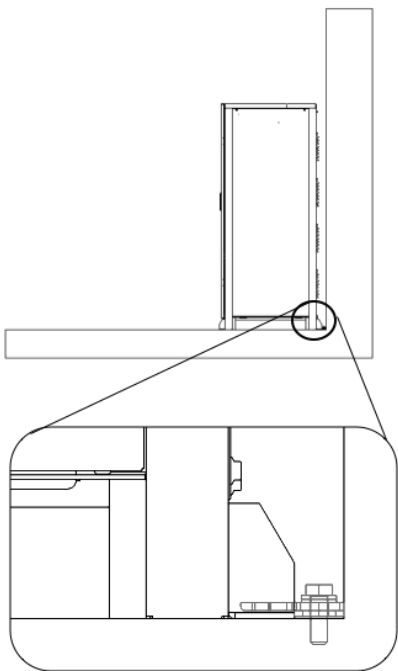
## OPTION SELECTION (SEE OPTION KITS P.5):

- “Close to wall” (available for OSHPD cabinets only).
- NEMA 2 Construction.
- Lifting Eyebolts.
- Standard Breaker accessories (UVR or SHUNT and AUX).
- Chargers available for systems below 240 VDC (UL certified).
- Chargers available for systems above 240 VDC (Not UL).\*
- Full height doors.
- Busbars.

\*Contact TERMACO for more details.

## OPTIONS ILLUSTRATED:

- “Close to Wall” (Valid for OSHPD only):



“Close to Wall” option illustrated with close up

## TABLE 1 - CODE FOR HEIGHTS

HEIGHT (in)*	CODE
57.0	C
59.8	S
67.3	N
71.0	M
73.7	L

\*Contact TERMACO for different heights

## TABLE 2 - CODE FOR CONFIGURATION

CONFIGURATION	CODE	CODE
IBC	I	Cabinet IBC 2015 certified.
NEBS Zone 4 construction	N	Cabinet compliant to NEBS zone 4 construction

## TABLE 3 - CODE FOR BATTERIES

MANUFACTURER	MODEL*	CODE
C&D	UPS12-540MR	CD54
	UPS12-400MR	CD40
	UPS12-350MR	CD35
	UPS12-150MR	CD15

\*Contact TERMACO for other battery types.

**OPTION KITS DESCRIPTION:**

- TCR-EYEB-KIT: Lifting eyebolts.
- TCR-NEMA2-KIT: NEMA 2 construction cabinet. A joint is added to the gland plates to prevent spilling or light water from entering the cabinet.
- TCR-CTW-**40**-KIT: "Close to Wall" option. This option allows the cabinet to be installed as close as 2" from the wall. (See illustration above). The number in the code corresponds to the width of the cabinet. Our standard is 40", but custom width also available.
- Following kits are breaker accessories (replace **X** by 3 for T1 to T3 breaker size, and by 6 for T4 to T6 breaker size):
  - TCR-BRKRA**X**-AUX-KIT (For Auxiliary).
  - TCR-BRKRA**X**-UVR-KIT (For UVR).
  - TCR-BRKRA**X**-SHNT-KIT (For SHUNT).
- TCR-CHG-240UL-KIT: Charger for systems up to 240VDC (UL certified).
- TCR-CHG-240-KIT: Charger for systems above 240VDC (Not UL).
- TCR-FULLHDOOR-**X**-KIT: Full height doors option. Refer to Table 1 to replace the "**X**" with the corresponding code.
- TCR-BUSB-**AMP**-KIT: Busbars. The amperage required will dictate the size of the busbars. "**AMP**" will be replaced by the same amperage chosen for the cabinet.



171, Tuckerton Road  
Reading, PA  
19605 United States

325, boul. Industriel  
Saint-Jean-sur-Richelieu (Qc)  
J3B 7M3 Canada

**T** 450 346.6871  
**F** 450 346.4368  
**TOLL FREE**  
1 800 363.1964